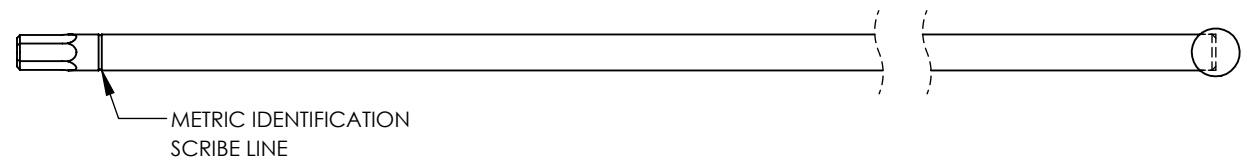
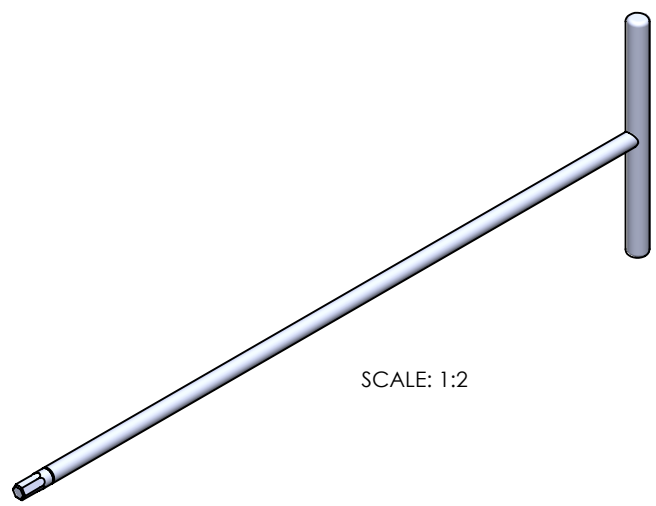


[4.00]
.1575



METRIC IDENTIFICATION
SCRIBE LINE



SCALE: 1:2

UNLESS OTHERWISE SPECIFIED: DIMENSIONS ARE IN INCHES				TOLERANCES: X.XX= ±0.13 X.XXX= ±0.015 X.XXXX= -0.002	
DRAWN	NAME	SIGN	DATE		
APPVD	A.T.		07.23.19		

MATERIAL:
SHAFT: 465 MAGNETIC S.S.
HANDLE: 316 NON-MAGNETIC S.S.

STERITOOL™
The Global Source for Stainless Steel Tools

TITLE:
4.0MM WELDED 'T' HANDLE HEX_KEY_SP9.00"

THIS DRAWING IS THE PROPERTY OF STERITOOL, INC. ANY REPRODUCTIONS OR MODIFICATIONS OF THIS DRAWING OR ITS CONTENTS WITHOUT THE CONSENT OF STERITOOL, INC. IS PROHIBITED.

PART NO.	72677_SP9	REV:	A
SCALE: 1:1	SHEET 1 OF 1		